

# Drop-in Circulator 嵌入式环形器

## H524A Series

### 1.Features 产品特点

UMTS, LTE Band

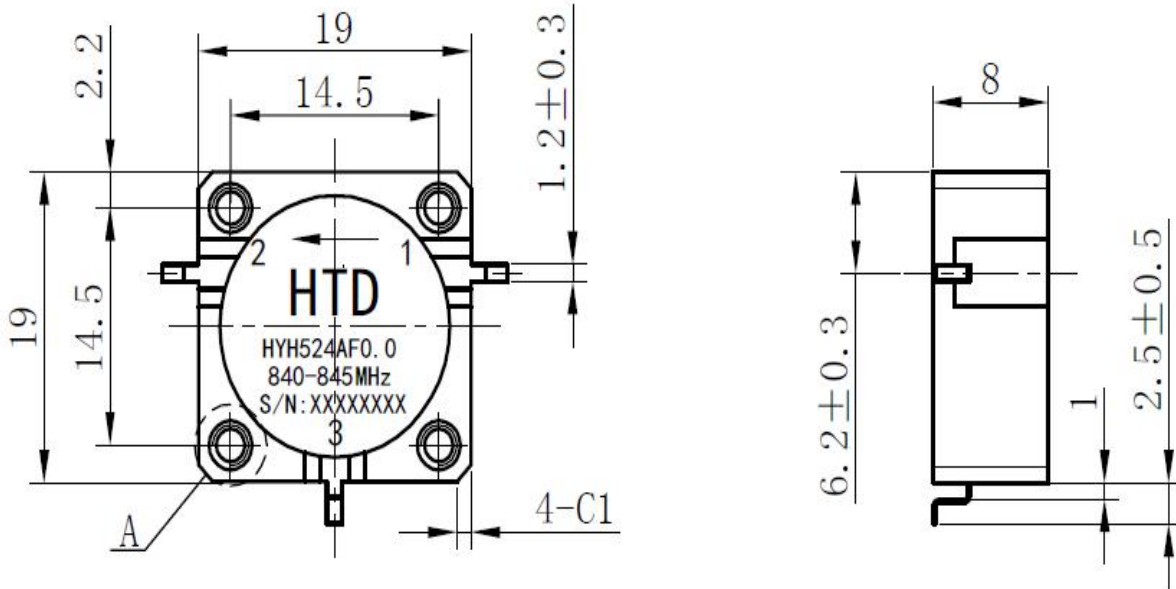
PCB Soldering Re-flow

Wide Operation Temperature Range -40 ~ 85°C

Compact Package Design for PCB Applications

### 2.Dimensions 尺寸展示

Unit:mm



### 3.Specifications 规格参数

| Part No.             | Frequency (GHz) |       | Center Frequency | Bandwidth | Isolation | INS LOSS | VSWR     | Power | IMD (@2X43dBm) |
|----------------------|-----------------|-------|------------------|-----------|-----------|----------|----------|-------|----------------|
|                      | F1              | F2    | (GHz)            | (GHz)     | (dB) MIN  | (dB) MAX | (dB) MAX | (W)   | (-dBc) MAX     |
| H524A [840-845]MHz   | 0.840           | 0.845 | 0.8425           | 0.005     | 20        | 0.35     | 1.2      | 100   |                |
| H524A [902-928]MHz   | 0.902           | 0.928 | 0.9150           | 0.026     | 22        | 0.3      | 1.17     | 100   |                |
| H524A [930-960]MHz   | 0.930           | 0.960 | 0.9450           | 0.030     | 22        | 0.3      | 1.17     | 100   |                |
| H524A [1805-2170]MHz | 1.805           | 2.170 | 1.8875           | 0.165     | 22        | 0.3      | 1.17     | 150   | -65            |
| H524A [1900-3000]MHz | 1.900           | 3.000 | 2.450            | 1.100     | 20        | 0.35     | 1.2      | 100   | -60            |