

# Microstrip Circulator 微带环形器

## H5A Series

### 1.Features 产品特点

5G NR BandBand

PCB Soldering Re-flow

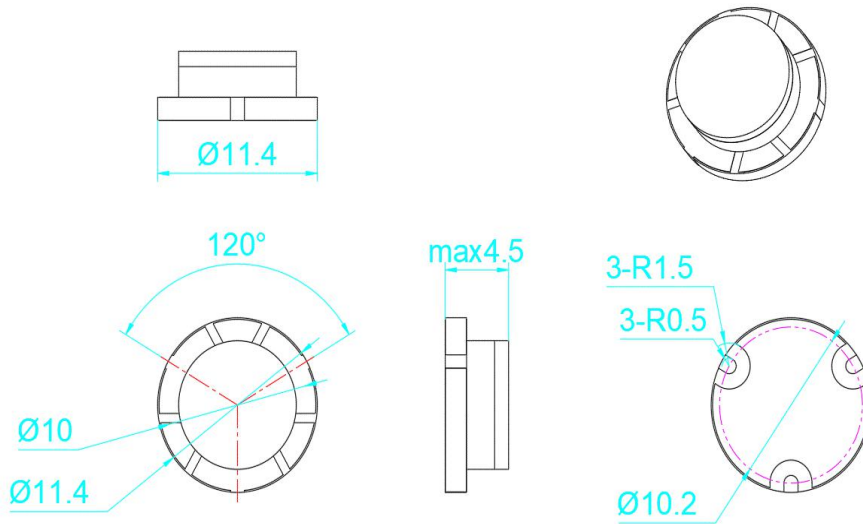
Wide Operation Temperature Range -45 ~ 110°C

Compact Package Design for PCB Applications

Lowcost

### 2.Dimensions 尺寸展示

Unit:mm



### 3.Specifications 规格参数

Part No.	Frequency (GHz)		Center Frequency (GHz)	Bandwidth (GHz)	Isolation (dB) MIN	INS LOSS (dB) MAX	Return Loss (dB) MIN	Power (W)	IMD (@2X50W) (-dBc) MAX
	F1	F2							
H5A001	3400	3600	3500	200	20	0.40	20	20	-40
H5A002	3600	3800	3700	200	20	0.40	20	20	-40