

Coaxial Circulator 同轴式环形器

HYH838A Series

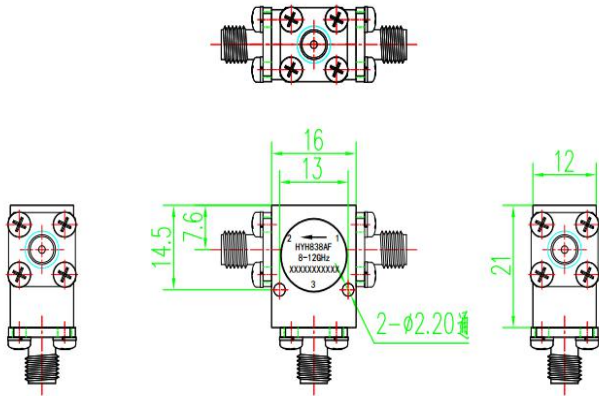
1.Features 产品特点

UMTS, LTE Band

Wide Operation Temperature Range -40 ~ +85°C

2.Dimensions 尺寸展示

Unit:mm



3.Specifications 规格参数

Part No.	Frequency (GHz)		Center Frequency	Bandwidth	Isolation	INS LOSS	VSWR	Power	IMD (@2X43dBm)
	F1	F2	(GHz)	(GHz)	(dB) MIN	(dB) MAX	MAX	(W)	(-dBc) MAX
HYH838AZ[5.6-6.5GHz]	5.600	6.500	6.0500	0.900	20	0.3	1.25	10	
HYH838AZ[6.4-7.2GHz]	6.400	7.200	6.8000	0.800	20	0.3	1.25	10	
HYH838AZ[7.1-7.9GHz]	7.100	7.900	7.5000	0.800	20	0.3	1.25	10	
HYH838AZ[7.7-8.5GHz]	7.700	8.500	8.1000	0.800	20	0.3	1.25	10	
HYH838AZ[8-12GHz]	8.000	12.000	10.0000	4.000	20	0.4	1.25	10	
HYH838AZ[10-15GHz]	10.000	15.000	12.5000	5.000	20	0.4	1.25	10	