

Coaxial Isolator 同轴式隔离器

HYG621A Series

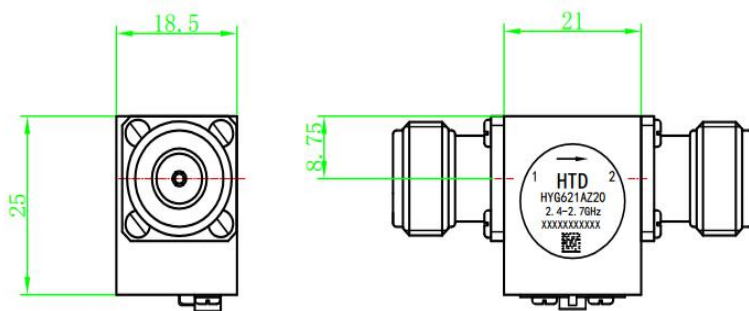
1.Features 产品特点

UMTS, LTE Band

Wide Operation Temperature Range -40 ~ +70°C

2.Dimensions 尺寸展示

Unit:mm



3.Specifications 规格参数

Part No.	Frequency (GHz)		Center Frequency	Bandwidth	Isolation	INS LOSS	VSWR	Power	IMD (@2X43dBm)
	F1	F2	(GHz)	(GHz)	(dB) MIN	(dB) MAX	MAX	(W)	(-dBc) MAX
HYG621AZ20(2.4-2.7GHz)	2.400	2.700	2.550	0.300	20	0.3	1.2	100	
HYG621AZ20(3.3-3.8GHz)	3.300	3.800	3.550	0.500	20	0.3	1.2	100	
HYG621AZ20(4.4-5GHz)	4.400	5.000	4.700	0.600	20	0.3	1.2	100	