

SMD Circulator 表贴式环形器

H103B Series

1.Features 产品特点

UMTS, LTE Band

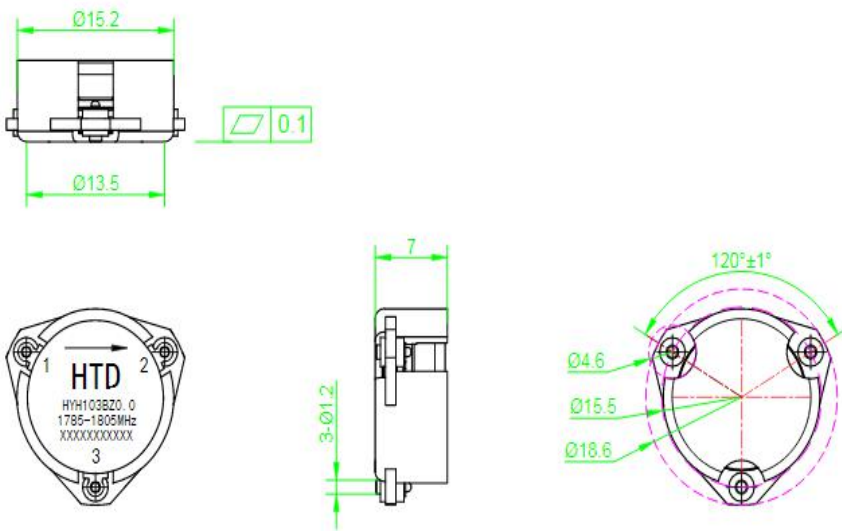
PCB Soldering Re-flow

Wide Operation Temperature Range -45 ~ 125°C

Compact Package Design for PCB Applications

2.Dimensions 尺寸展示

Unit:mm



3.Specifications 规格参数

Part No.	Frequency (GHz)		Center Frequency	Bandwidth	Isolation	INS LOSS	VSWR	Power	IMD (@2X43dBm)
	F1	F2	(GHz)	(GHz)	(dB) MIN	(dB) MAX	(dB) MAX	(W)	(-dBc) MAX
HYH103BF(1407-1507)MHz	1.407	1.507	1.457	0.100	20	0.25	1.22	100	-60
HYH103BF0.0(1805-1880)MHz	1.805	1.880	1.843	0.075	23	0.25	1.15	100	-65
HYH103BF0.0(1840-2055)MHz	1.840	2.055	1.948	0.215	25	0.25	1.12	100	-70
HYH103BF0.0(1930-1990)MHz	1.930	1.990	1.960	0.060	23	0.25	1.15	100	-65
HYH103BF0.0(2110-2170)MHz	2.110	2.170	2.140	0.060	23	0.25	1.15	100	-70
HYH103BF0.0(2300-2400)MHz	2.300	2.400	2.350	0.100	23	0.25	1.15	100	-65
HYH103BZ0.0 (2486-2720)MHz	2.486	2.720	2.603	0.234	25	0.22	1.12	100	-65