

# SMD Isolator 表贴式隔离器

## G101D Series

### 1.Features 产品特点

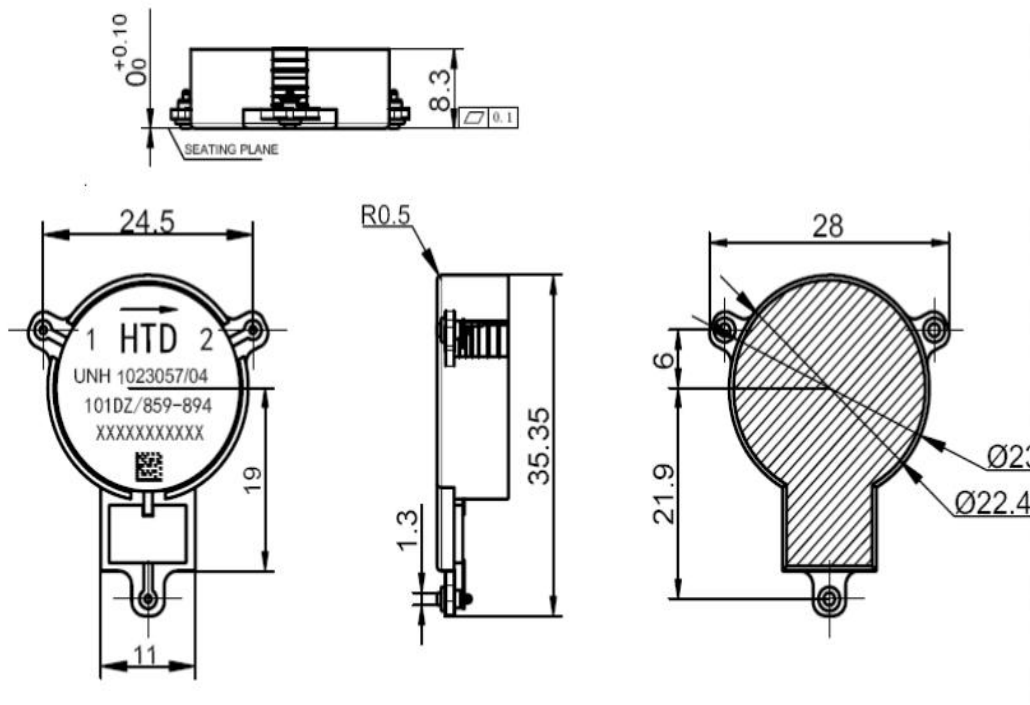
UMTS, LTE Band

PCB Soldering Re-flow

Wide Operation Temperature Range -45 ~ 125°C

Compact Package Design for PCB Applications

### 2.Dimensions 尺寸展示



Unit:mm

### 3.Specifications 规格参数

Part No.	Frequency (GHz)		Center Frequency	Bandwidth	Isolation	INS LOSS	VSWR	Power	IMD (@2X43dBm)
	F1	F2	(GHz)	(GHz)	(dB) MIN	(dB) MAX	(dB) MAX	(W)	(-dBc) MAX
HYG101DZ100-30(859-894)MHz	0.859	0.894	0.8765	0.035	22	0.2	1.13	130	-75