

Drop-in Isolator 嵌入式隔离器

G536A Series

1.Features 产品特点

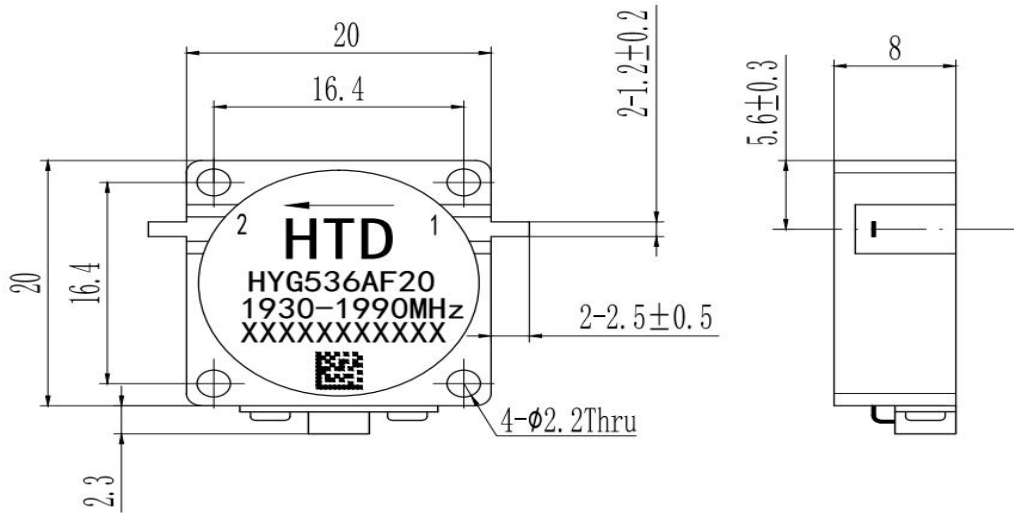
UMTS, LTE Band

PCB Soldering Re-flow

Operation Temperature Range -40 ~ 85

Compact Package Design for PCB Applications

2.Dimensions 尺寸展示



3.Specifications 规格参数

Part No.	Frequency (GHz)		Center Frequency (GHz)	Bandwidth (GHz)	Isolation (dB) MIN	INS LOSS (dB) MAX	VSWR (dB) MAX	Power (W)	IMD (@2X43dBm) (-dBc) MAX
	F1	F2							
G536A [820-835]MHz	0.820	0.835	0.828	0.015	23	0.3	1.15	150	
G536A [832-860]MHz	0.832	0.860	0.846	0.028	23	0.3	1.15	60	
G536A [840-845]MHz	0.840	0.845	0.843	0.005	23	0.3	1.15	60	
G536A [885-915]MHz	0.885	0.915	0.900	0.030	23	0.3	1.15	60	
G536A [869-894]MHz	0.869	0.894	0.8815	0.025	25	0.3	1.15	100	
G536A [920-925]MHz	0.920	0.925	0.9225	0.005	23	0.3	1.15	60	
G536A [1710-1785]MHz	1.710	1.785	1.7475	0.075	23	0.25	1.15	60	
G536A [1805-1880]MHz	1.805	1.880	1.8375	0.075	25	0.25	1.15	60	
G536A [1920-1980]MHz	1.920	1.980	1.9500	0.060	23	0.25	1.15	60	
G536A [1930-1990]MHz	1.930	1.990	1.9600	0.060	23	0.25	1.15	60	
G536A [2000-2500]MHz	2.000	2.500	2.2500	0.500	18	0.35	1.28	100	
G536A [2110-2170]MHz	2.110	2.170	2.1400	0.060	25	0.25	1.15	60	
G536A [2200-2300]MHz	2.200	2.300	2.2500	0.100	23	0.25	1.15	60	
G536A [2320-2370]MHz	2.320	2.370	2.3450	0.050	23	0.25	1.15	60	
G536A [2500-2570]MHz	2.500	2.570	2.5350	0.070	23	0.25	1.15	60	
G536A [2570-2690]MHz	2.570	2.690	2.6300	0.120	22	0.25	1.17	60	