

SMD Circulator 表贴式环形器

H103J Series

1.Features 产品特点

UMTS, LTE , 5G NR BandBand

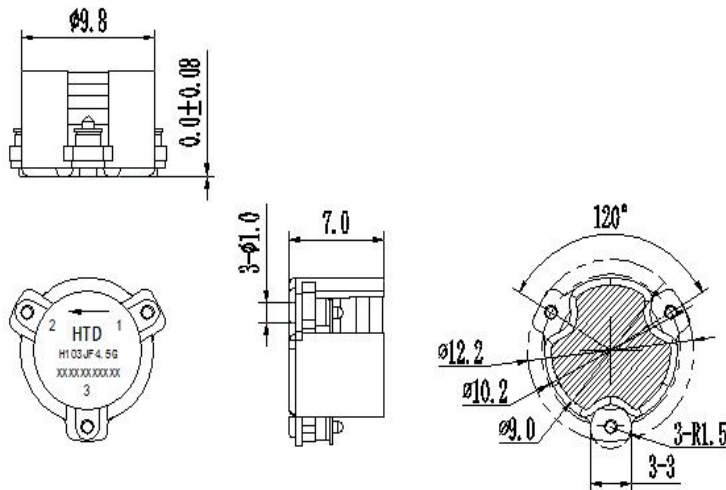
PCB Soldering Re-flow

Wide Operation Temperature Range -45 ~ 125°C

Compact Package Design for PCB Applications

2.Dimensions 尺寸展示

Unit:mm



3.Specifications 规格参数

Part No.	Frequency (GHz)		Center Frequency (GHz)	Bandwidth (GHz)	Isolation (dB) MIN	INS LOSS (dB) MAX	VSWR (dB) MAX	Power (W)	IMD (@2X43dBm) (-dBc) MAX
	F1	F2							
H103JZ1.8G	1.805	1.880	1.8425	0.075	20	0.3	1.2	100	-65
H103JZ2.3G	2.300	2.400	2.350	0.100	23	0.3	1.15	100	-65
H103JZ2.6G	2.545	2.635	2.5900	0.090	23	0.3	1.15	100	-65
H103JZ3.5G	3.400	3.600	3.500	0.200	23	0.3	1.15	100	-65
H103JZ4.5G	4.400	5.000	4.7000	0.600	20	0.3	1.2	100	-60
H103JF3.5C	3.550	3.700	3.625	0.150	23	0.3	1.15	100	-65