

# SMD Circulator 表贴式环形器

## H107D Series

### 1.Features 产品特点

UMTS, LTE, 5G NR Band

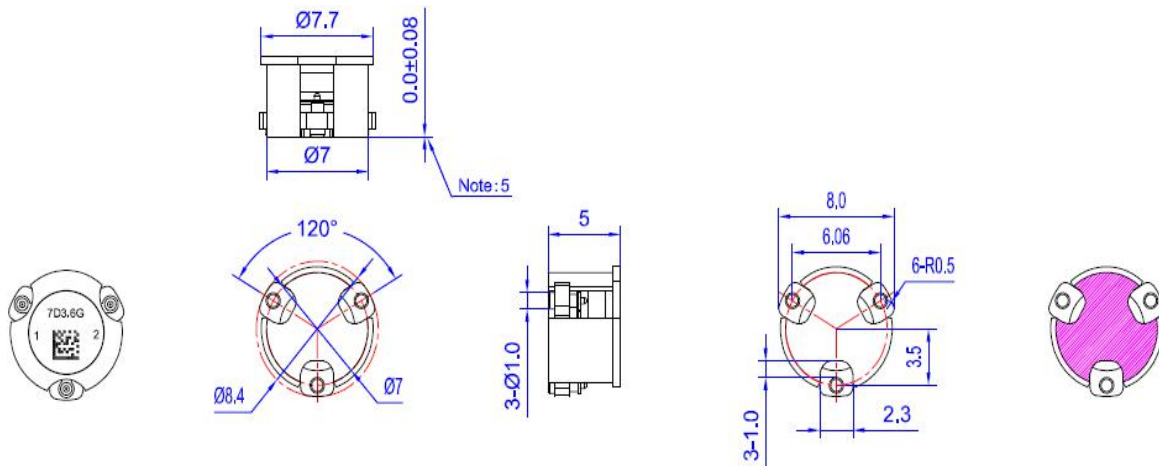
PCB Soldering Re-flow

Wide Operation Temperature Range -45 ~ 125°C

Compact Package Design for PCB Applications

### 2.Dimensions 尺寸展示

Unit:mm



### 3.Specifications 规格参数

Part No.	Frequency (GHz)		Center Frequency (GHz)	Bandwidth (GHz)	Isolation (dB) MIN	INS LOSS (dB) MAX	VSWR MAX	Power (W)	IMD (@2X5W) (-dBc) MAX
	F1	F2							
H107DZ2.6	2496	2690	2593	194	18	0.40	1.25	20	-60
H107DZ3.5G	3400	3600	3500	200	20	0.35	1.20	20	-65
H107DZ3.7G	3600	3800	3700	200	20	0.35	1.20	20	-65
H107DZ4.5G	4500	4800	4650	300	20	0.35	1.20	20	-65
H107DZ4.8G	4800	5000	4900	200	20	0.35	1.20	20	-65