

Drop-in Isolator 嵌入式隔离器

G537A Series

1.Features 产品特点

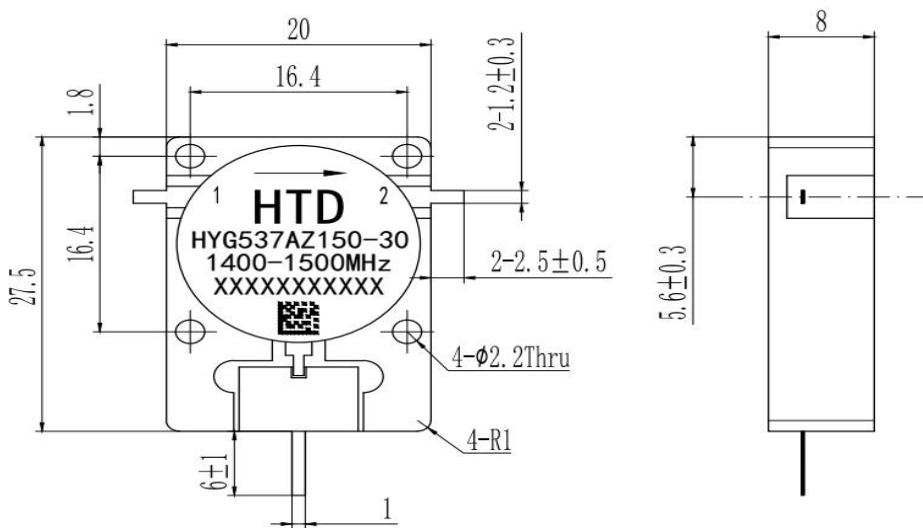
UMTS, LTE Band

PCB Soldering Re-flow

Wide Operation Temperature Range -40 ~ 85°C

Compact Package Design for PCB Applications

2.Dimensions 尺寸展示



3.Specifications 规格参数

Part No.	Frequency (GHz)		Center Frequency	Bandwidth	Isolation	INS LOSS	VSWR	Power	IMD
	F1	F2	(GHz)	(GHz)	(dB) MIN	(dB) MAX	(dB) MAX	(W)	(@2X43dBm (-dBc) MAX)
G537A[851-866]MHz	0.851	0.866	0.859	0.015	25	0.25	1.15	150	
G537A[865-880]MHz	0.865	0.880	0.873	0.015	23	0.3	1.15	150	
G537A[869-894]MHz	0.869	0.894	0.8815	0.025	23	0.3	1.15	150	
G537A[880-920]MHz	0.880	0.920	0.9000	0.040	23	0.3	1.15	150	
G537A[920-960]MHz	0.920	0.960	0.9400	0.040	23	0.3	1.15	100	
G537A[1452-1492]MHz	1.452	1.492	1.4720	0.040	25	0.25	1.15	100	
G537A[1710-1755]MHz	1.710	1.755	1.7325	0.045	25	0.25	1.15	150	
G537A[1805-1880]MHz	1.805	1.880	1.8375	0.075	23	0.25	1.15	100	
G537A[1805-1920]MHz	1.805	1.920	1.8625	0.115	22	0.25	1.17	100	
G537A[1920-1980]MHz	1.920	1.980	1.9500	0.060	23	0.25	1.15	150	
G537A[2010-2025]MHz	2.010	2.025	2.0175	0.015	23	0.25	1.15	100	
G537A[2110-2170]MHz	2.110	2.170	2.1400	0.060	23	0.25	1.15	150	
G537A[2400-2500]MHz	2.400	2.500	2.4500	0.100	23	0.25	1.15	100	
G537A[2620-2690]MHz	2.620	2.690	2.6550	0.070	23	0.25	1.15	150	