

# SMD Circulator 表贴式环形器

## H121A Series

### 1.Features 产品特点

UMTS, LTE, 5G NR Band

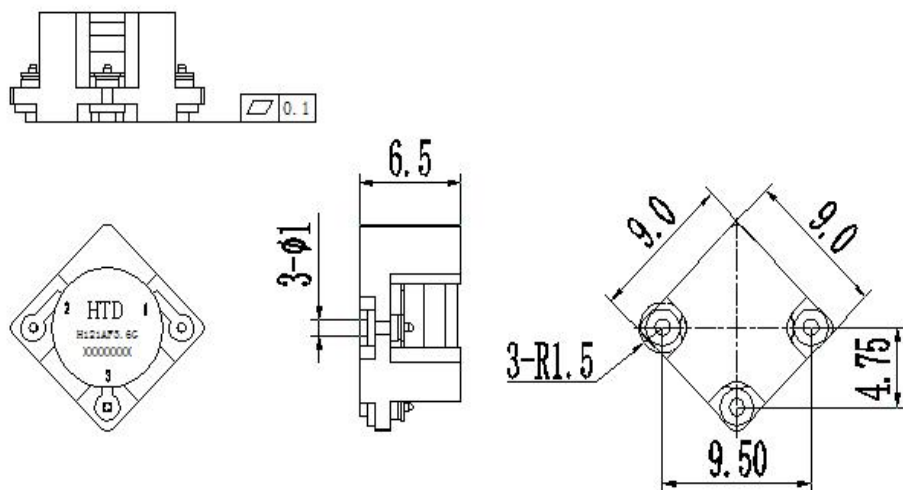
PCB Soldering Re-flow

Wide Operation Temperature Range -45 ~ 125°C

Compact Package Design for PCB Applications

### 2.Dimensions 尺寸展示

Unit:mm



### 3.Specifications 规格参数

Part No.	Frequency (GHz)		Center Frequency	Bandwidth	Isolation	INS LOSS	VSWR	Power	IMD (@2X43dBm)
	F1	F2	(GHz)	(GHz)	(dB) MIN	(dB) MAX	(dB) MAX	(W)	(-dBc) MAX
H121AZ3.6G	3.400	3.800	3.6000	0.400	20	0.35	1.22	20	-60
H121AZ4.5G	4.400	5.000	4.7000	0.600	20	0.35	1.22	20	-60