

Drop-in Isolator 嵌入式隔离器

G502A Series

1.Features 产品特点

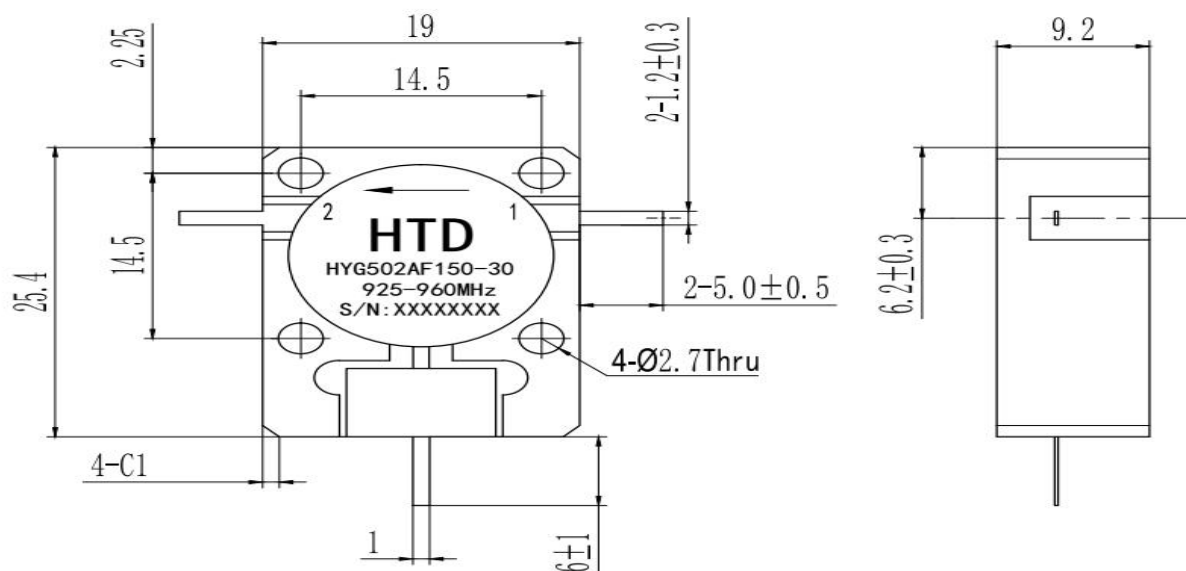
UMTS, LTE Band

PCB Soldering Re-flow

Wide Operation Temperature Range -40 ~ 85°C

Compact Package Design for PCB Applications

2.Dimensions 尺寸展示



3.Specifications 规格参数

Part No.	Frequency (GHz)		Center Frequency (GHz)	Bandwidth (GHz)	Isolation (dB) MIN	INS LOSS (dB) MAX	VSWR (dB) MAX	Power (W)	IMD (@2X43dBm) (-dBc) MAX
	F1	F2							
G502A[925-960]MHz	0.925	0.960	0.943	0.035	22	0.3	1.17	150	
G502A[1600-1630]MHz	1.600	1.630	1.6150	0.030	23	0.25	1.15	150	
G502A[1689-1710]MHz	1.689	1.710	1.6995	0.021	23	0.2	1.15	150	
G502A[1800-2200]MHz	1.800	2.200	2.0000	0.400	22	0.3	1.2	100	
G502A[1805-1880]MHz	1.805	1.880	1.8375	0.075	23	0.25	1.17	150	
G502A[2000-2500]MHz	2.000	2.500	2.2500	0.500	18	0.4	1.3	150	
G502A[2100-2200]MHz	2.100	2.200	2.1500	0.100	22	0.3	1.2	150	
G502A[2300-2400]MHz	2.300	2.400	2.3500	0.100	22	0.25	1.17	150	-65
G502A[2555-2660]MHz	2.555	2.660	2.6075	0.105	22	0.25	1.17	150	-65
G502A[3100-3500]MHz	3.100	3.500	3.3000	0.400	20	0.35	1.2	100	
G502A[3400-4200]MHz	3.400	4.200	3.800	0.800	15	0.45	1.4	150	