

SMD Isolator 表贴式隔离器

G105B Series

1.Features 产品特点

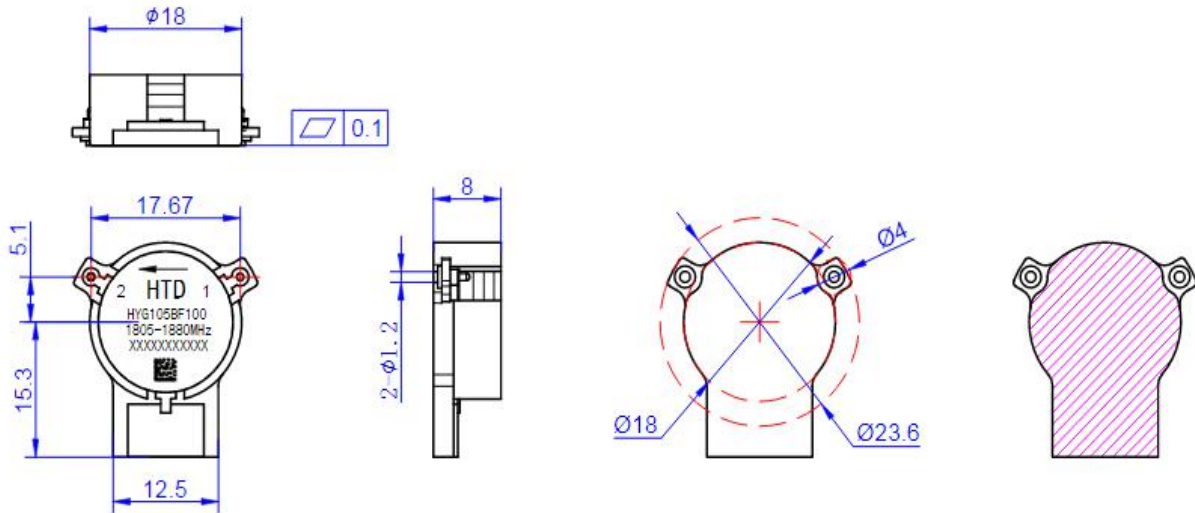
UMTS, LTE Band

PCB Soldering Re-flow

Wide Operation Temperature Range -45 ~ 125°C

Compact Package Design for PCB Applications

2.Dimensions 尺寸展示



3.Specifications 规格参数

Part No.	Frequency (GHz)		Center Frequency	Bandwidth	Isolation	INS LOSS	VSWR	Power	IMD (@2X43dBm)
	F1	F2	(GHz)	(GHz)	(dB) MIN	(dB) MAX	(dB) MAX	(W)	(-dBc) MAX
HYG105BZ60-0.0(1480-1526)MH	1.480	1.526	1.5030	0.046	25	0.2	1.12	100	-74
HYG105BF60-0.0(1840-1900)MHz	1.840	1.900	1.8700	0.060	25	0.2	1.12	100	-74
HYG105BZ100-0.0(2200-2400)MHz	2.200	2.400	2.3000	0.200	25	0.25	1.12	100	-74
HYG105BZ60-0.0(2500-2700)MHz	2.500	2.700	2.6000	0.200	22	0.25	1.17	100	-74