

SMD Isolator 表贴式隔离器

G102B Series

1.Features 产品特点

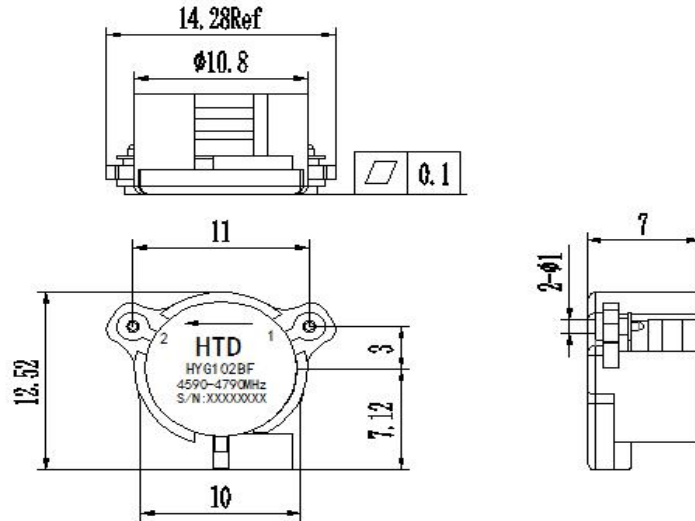
UMTS, LTE Band

PCB Soldering Re-flow

Wide Operation Temperature Range -45 ~ 125°C

Compact Package Design for PCB Applications

2.Dimensions 尺寸展示



Unit:mm

3.Specifications 规格参数

Part No.	Frequency (GHz)		Center Frequency	Bandwidth	Isolation	INS LOSS	VSWR	Power	IMD
	F1	F2	(GHz)	(GHz)	(dB) MIN	(dB) MAX	(dB) MAX	(W)	(@2X43dBm) (-dBc) MAX
G102BF1.8-2.1G	1.805	2.170	1.9875	0.365	17	0.55	1.33	20	-50
G102BZ2G	1.980	2.010	1.9950	0.030	23	0.3	1.15	20	-65
G102BF2.6G	2.456	2.730	2.5930	0.274	20	0.35	1.17	20	-72